

POKE-IN SLIM WIRE CONNECTORS

TE Connectivity (TE) introduces our new SMT Releasable Slim Contact, designed for quick and easy Wire-to-Board and Board-to-Board connectivity in a low profile, slim form factor. The releasable contact function along with the design for multiple wire sizes allows for convenience in installation and rework. Additionally, the low profile and small footprint allows for high density and compact PCB designs.



Applications

- Telecommunication systems
- Lighting systems
- Security
- Room and area lighting

Electrical

- **Current Rating:**
 - 10 A for wire 18AWG
 - 6A for wire 20AWG & 22AWG
 - 4A for board to board connection
- **Voltage Rating:**
 - 300V AC Max.

Mechanical

- **Operating Temperature:** -40°C to +105°C
- **Wire Gauge - 2834167-3:** 18-22AWG (solid/stranded)
2834171-3: 20-24AWG (solid/stranded)
- Tin dipped required for stranded

Material

- **Contact:** Copper Alloy with Tin plating

Specifications

- **Product Specification:** [108-137166](#)
- **Application Specification:** [114-137166](#)

Product Compliance / Approvals

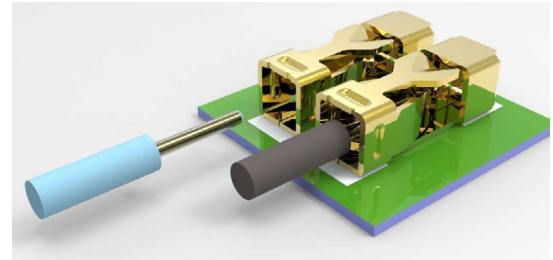
- **UL Approval:** UL1977 / File: E28476

Key Benefits

- Releasable function allows for quick rework
- Designed for compact PCB layouts
- Bare contact offers size and cost savings from housed poke-in
- Wide range of wire sizes accepted
- Board-to-board mating function

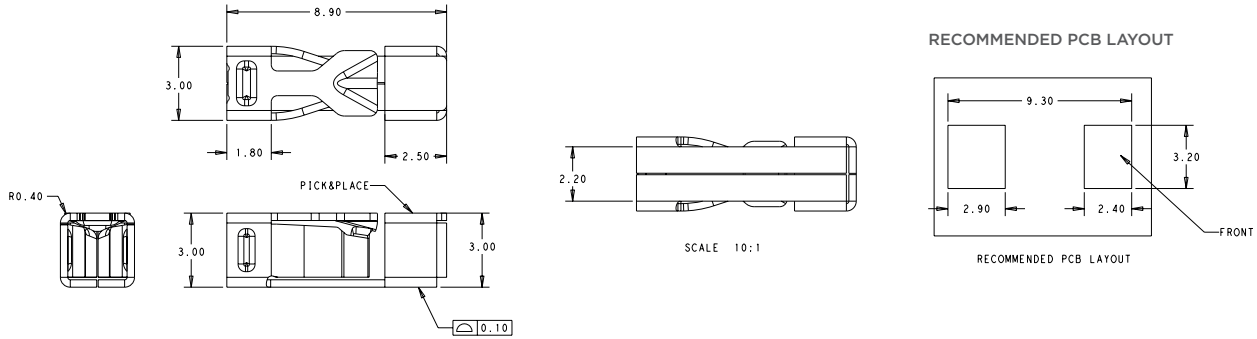
Product Selection Information

Description	Part Number
RELEASABLE SLIM FEMALE CONTACT	2834167-3
ULTRAMINIATURE SLIM CONTACT	2834171-3
ULTRAMINIATURE SLIM MALE PIN CONTACT	2834172-3

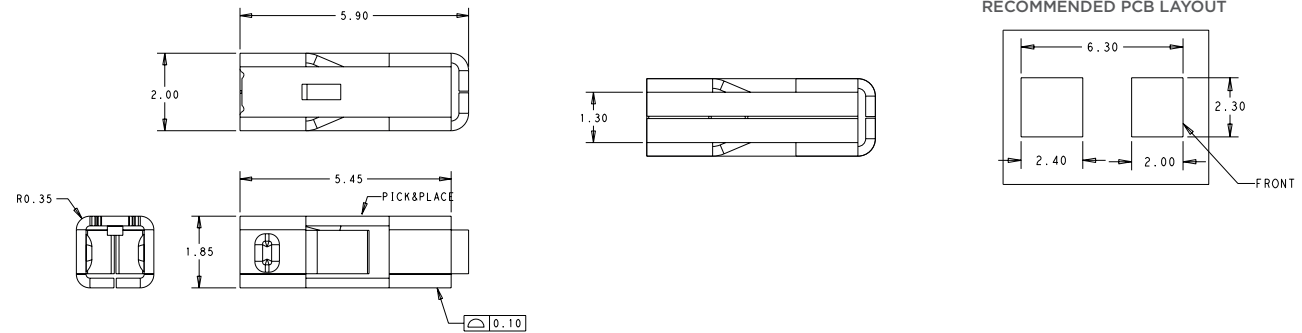


Dimensions

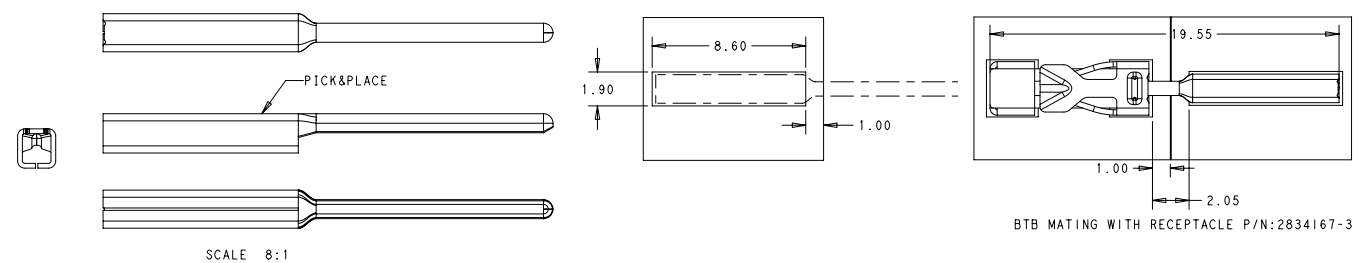
2834167-3



2834171-3



2834172-3



te.com

© 2017 TE Connectivity Ltd. Family of Companies. All Rights Reserved. TE, TE Connectivity, and the TE connectivity (logo) are trademarks of the TE Connectivity Ltd. family of companies. Other logos, product and Company names mentioned herein may be trademarks of their respective owners.
1-1773909-3 JN 3/2017

USA: +1 (800) 522-6752
Canada: +1 (905) 475-6222
Mexico: +52 (0) 55-1106-0800
Latin/S. America: +54 (0) 11-4733-2200
Germany: +49 (0) 6251-133-1999

UK: +44 (0) 800-267666
France: +33 (0) 1-3420-8686
The Netherlands: +31 (0) 73-6246-999
China: +86 (0) 400-820-6015